

**CORBY**

IRON & IRONING  
BOARD HOLDER

[www.corbyofwindsor.com](http://www.corbyofwindsor.com)

# CONTENTS

## SECTION 01

Cautions	03
Introduction	03
Handling	03
Unpacking	03

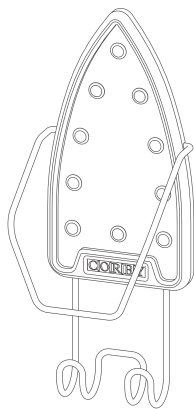
## SECTION 02

Tools required	04
Parts supplied	04

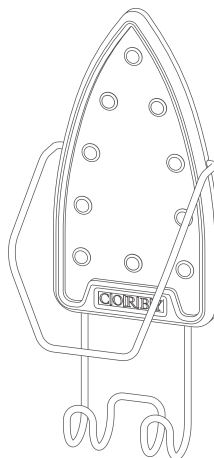
## SECTION 03

Installation	05
Guarantee	08
Contacts	08

### Versions :



Small Holder



Large Holder

## CAUTIONS

Fixings supplied are for mounting to natural or manmade wooden board with a minimum thickness of 15mm.

Due to varying wall materials, wall fixings are not included. Choose screws and fixings which are suited to the wall material and have sufficient holding power.

Failure to properly mount the product may cause injury and/or property damage. If in doubt seek advice from a suitably qualified tradesman.

## INTRODUCTION

Thank you for choosing this Corby iron and ironing board holder. The product has been designed to meet the most stringent quality, performance, and safety requirements.

This iron and ironing board holder is manufactured from a high heat resistant polymer and chromium plated steel. These materials create rigidity and strength offering a hard wearing and durable iron and ironing board storage solution, perfectly suited to the requirements of a hotel guestroom.

## HANDLING

Caution should be taken when removing the iron or ironing board from the holder.

## UNPACKING

Carefully lift the pieces out of the box

Carefully remove the protective wrapping from the pieces

Locate the fixing pack and put aside

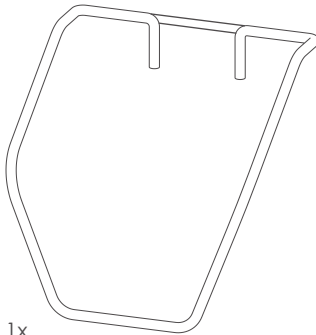
**TOOLS REQUIRED\***

Crosshead screw driver (An electric screw driver is recommended)

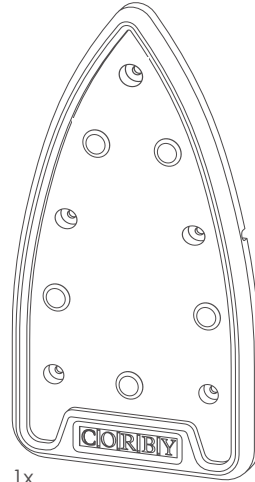
\*For mounting to natural or manmade wooden board

**PARTS SUPPLIED**

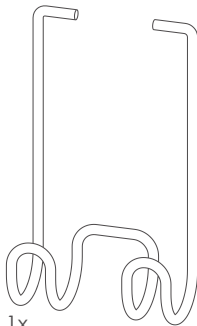
Please ensure you have ALL the correct parts and fixings before installing product.



1x  
Iron holder bar



1x  
Sole plate protector



1x  
Ironing board holder bar



Small - QTY 3 / Large - QTY 5  
Screw Cap



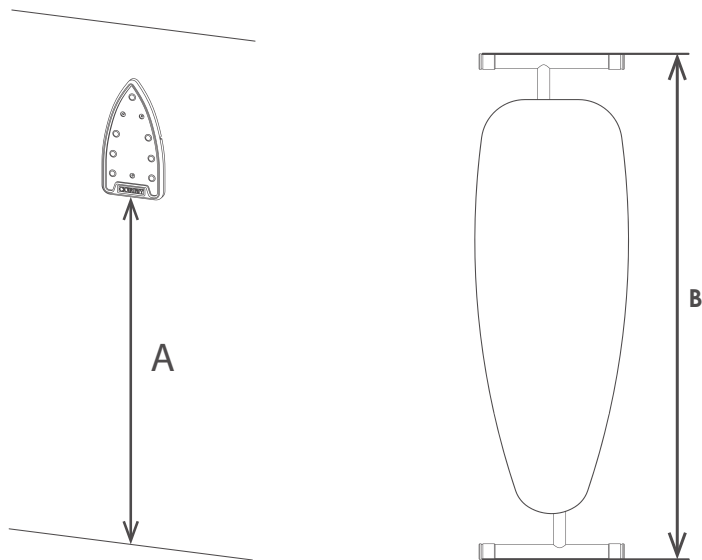
Small - QTY 3 / Large - QTY 5  
16mm Screw

## INSTALLATION

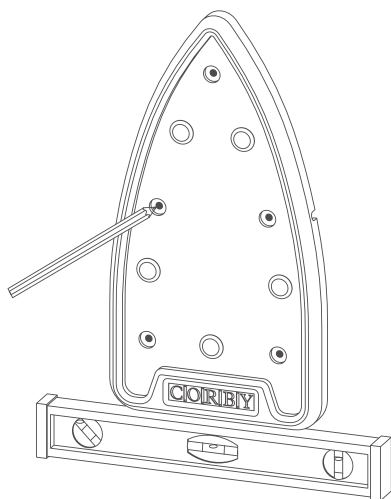
Check the material thickness of the wood board before mounting. If the thickness is less than 15mm smaller screws will be required.

### 01.

Dimension A = B+100mm

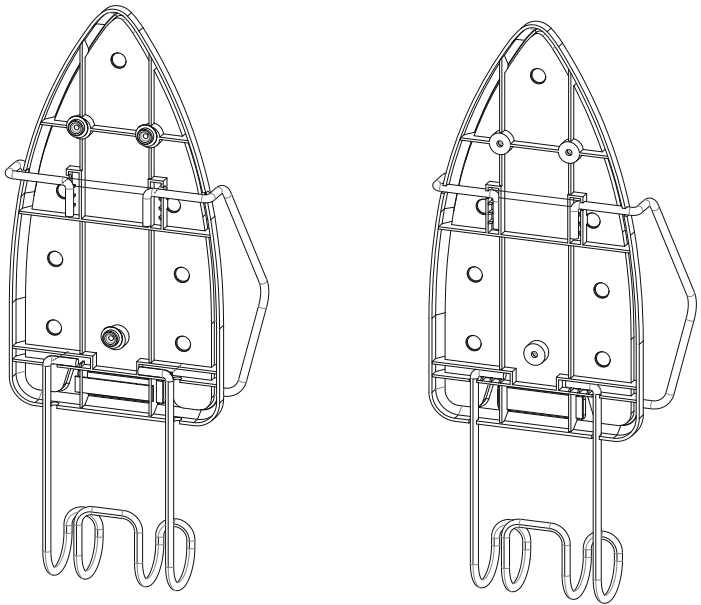


### 02.



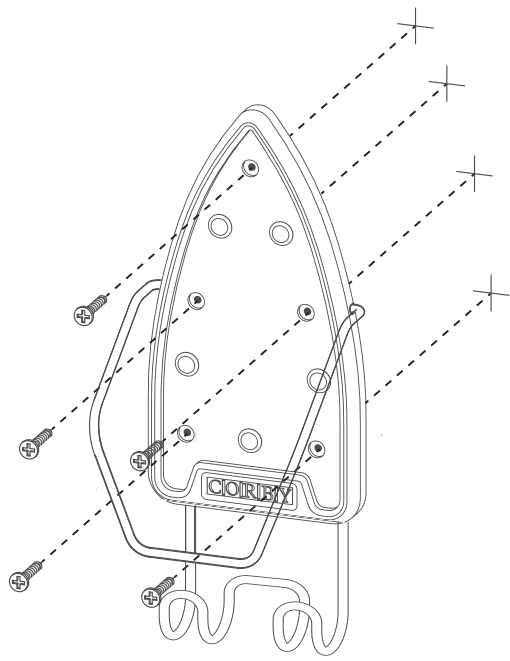
\* Large holder shown for reference

# 03.

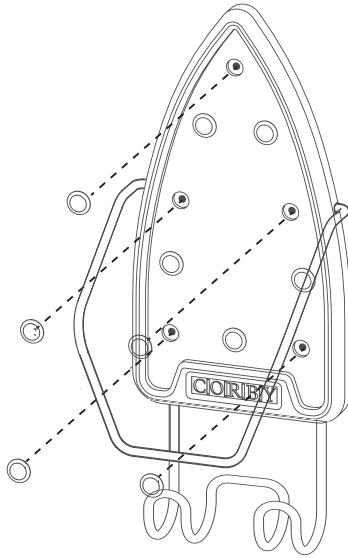


\* Large holder shown for reference

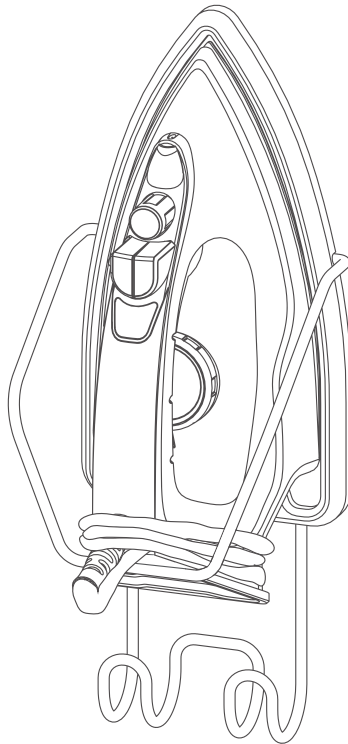
# 04.



\* Large holder shown for reference



\* Large holder shown for reference



\* Large holder shown for reference  
\*Iron not included

## GUARANTEE

For your convenience, you are not required to complete a form and return it to us in order to validate your guarantee. However, please ensure that you retain your receipt which will act as both proof of purchase and a guarantee validation document. **We recommend that you attach your receipt to this documentation.**

Your product carries a 12 month guarantee from the date that the original purchaser receives it. If your product fails to operate to its specification due to faulty workmanship or materials during the guarantee period, we will either repair or replace the product. We will use our discretion to determine whether to offer a repair or provide a replacement. The product will not be covered by the guarantee if it has been misused, transformed, modified or altered in any way.

If your product fails within the guarantee period please ensure that you have all necessary documentation available including proof of purchase (receipt or invoice with serial number, location and date of purchase) in addition to all original undamaged packaging and leaflets etc. It is strongly recommended that you inspect your product carefully before it is used or installed. For full details of your product you should refer to the instruction manual which accompanies the product. You are strongly advised to read this manual carefully in its entirety and to retain it for future reference.

This product guarantee does not affect your statutory rights.



[www.firedupcorporation.com](http://www.firedupcorporation.com)

Fired Up Corporation Ltd.  
Fired Up Buildings  
St Thomas Road  
Huddersfield  
HD1 3LF  
United Kingdom